



Introducing: The Leonardo Software Suite

Ian Proudfoot
Technical Director

» Antéa delivers innovation supported by more than 25 years of experience

- Founded in 1986
- Expert knowledge of publishing standards and technologies:
 - PDF
 - SGML
 - XML
 - **CGM**
 - SVG
 - ATA iSpec 2200
 - **S1000D**
 - DITA
 - etc...



The Leonardo Suite

Leonardo **S1000D**

Leonardo **ATA**

ti Factory





Leonardo... for S1000D & ATA illustrations

Leonardo

» **The context : production of 2D illustrations within the Standards of the Aerospace & Defense sectors**

» **Respond to multiple requirements**

- Speed-up production and revision cycles
- Guarantee quality of delivered illustrations
- Deliver data in the required file format
- Lower production costs
- Efficiently support user's needs
 - Multi-standards context : ATA & S1000D with variants
 - Authoring and Illustration by the same personnel
 - Off-shore work by non specialized personnel



ILLUSTRATOR'S CHALLENGES

» Set-up its “Standards customized” working environment(s)

- Line Styles, Pens, Text Size and font, Colors
- Use of drawing tools
- Create a library of re-usable “standard” illustrations

» Create/Modify Illustrations

- While conforming to Standards and Project Business Rules
- Speed-up time-consuming repetitive series of commands



LEONARDO... IS THE SOLUTION !

- » Antéa created Leonardo to cover specific ATA & S1000D illustrations challenges
- » Leonardo is based on PTC Arbortext IsoDraw
 - IsoDraw is the leading Technical Illustration software from PTC
 - Seamlessly integrated as an extension application

Leonardo
ATA

Leonardo
S1000D



COMMON FEATURES - A CUSTOMIZED ENVIRONMENT

» Profiles corresponding to the chosen project

- S1000D – any version

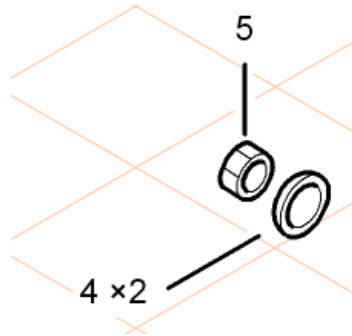
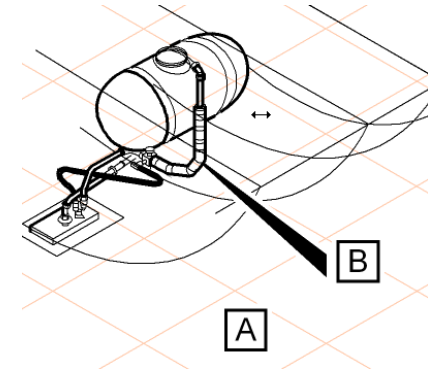
» A Leonardo Profile contains

- Attributes definition (pens, texts, colours)
- Image area definitions
- ICN/GNBR format rules
- Hotspot naming conventions
- Export format definition



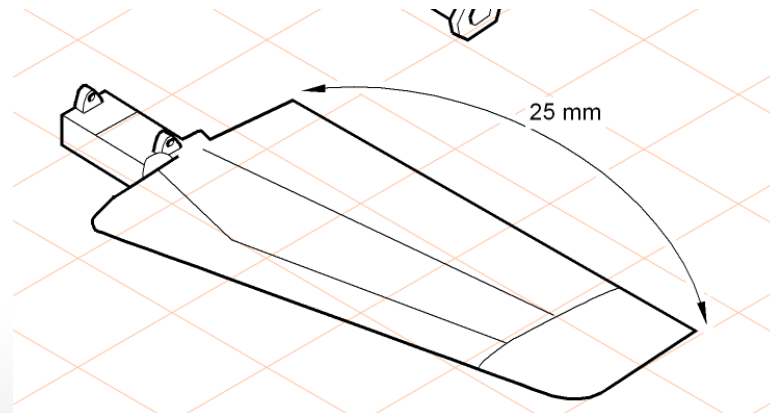
» Define the navigation

- Views
- Locators
- Sections



» Define callouts

- Simple callouts
- Complex callouts



» Information tools

- Dimensions
- Extraction arrows



LEONARDO S1000D – SPECIFIC FEATURES

- » Supported default Profiles : all S1000D versions
- » Profile definitions stored in a XML file
- » Capability to create your own Profile, for implementation of project Business Rules
- » Dynamic loading of the Profiles
- » Enhanced Error reporting
- » Leonardo S1000D Demo



The Leonardo Suite

Leonardo S1000D

Leonardo ATA

ti Factory

Designer

Express

- » **The high performance multi-level validation tool for CGM based technical graphics**
 - Checks every part of the CGM file.
 - Its multi-level validation engine digs deep into the core ISO CGM, then each nested profile then the business and style rules.
 - Batch process entire folders of files from your desktop, then receive a comprehensive validation report in the format that suits your needs.
 - Automatically correct some types of CGM and style errors.
- » **Plug and Play Profiles for CGM validation**
- » **Built-in support for Web CGM plus nested profiles**



TI Factory versions

» Express

- Check the validity of any CGM file against any active profile
- Check Business and Style rules
- Visual error display
- Advanced error reports
- LiveLink integration with illustration tools

» Designer

- As Express plus
- Create your own validation workflow
- Distribute validation rule packages
- Optional command line version

» Ti Factory Demo



CONCLUSION - BENEFITS OF THE LEONARDO SUITE

- » **Substantially reduce production costs**
- » **Improve quality of delivered data and minimize rework**
- » **Shorten production and revision cycles**
 - Ability to verify the illustration conformance to the Standards
- » **Optimize production workflow**
 - No deep knowledge of the required specifications
 - Products for “non-expert (ATA or S1000D) illustrators”





Expert des solutions de Communication Technique
au service de la réussite de vos projets

Thank you for your attention

Any Questions?



3 rue Etienne Dolet
93400 Saint-Ouen
FRANCE

Tel : + 33 (0)1 58 61 23 00
www.antea.fr